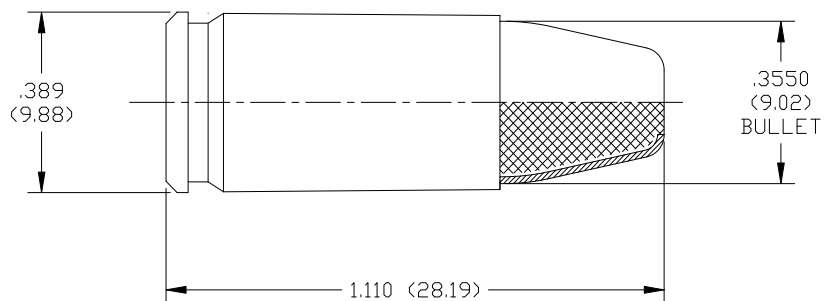
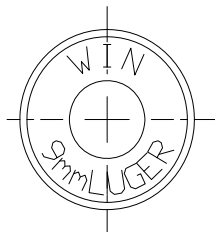




Winchester 9mm (147) BEB

- Symbol: **WC93** – Winchester WinClean® Handgun
- Shellcase: 9mm Luger brass shellcase
- Bullet: 147 grain JSP; Brass Enclosed Base
- Powder Type: Clean burning
- Primer: Winchester non-corrosive lead free primer, boxer type
- Accuracy: Product Mean of 2.0 inches Extreme Spread
5 shot targets at 50 yards from a 4.0 inch SAAMI test barrel
- Velocity: 985 ft/sec nominal at 15 ft
Fired in a 4.0 inch standard SAAMI test barrel
- Energy: 316 ft-lb nominal at 15ft
Fired in a 4.0 inch standard SAAMI test barrel
- Pressure: 35,000 psi maximum average
- Waterproofing: None

NOMINAL DIMENSIONS SHOWN



WC93
WI878

ALL DIMENSIONS SHOWN ABOVE ARE FOR REFERENCE ONLY
INFORMATION PUBLISHED HEREIN IS SUBJECT TO CHANGE AT MANUFACTURER'S DISCRETION WITHOUT NOTICE.
Rev. - 7-1-2010, ECO31349